

## **Basic** **- quality for light use**

The Basic range offers you two trucks, for which the price is adjusted to the quality; The Basic pallet truck which is very easy to operate and maintain, and the Basic highlifter which can transport and lift a pallet to the ergonomically correct working height.

Both pallet truck and highlifter are very manoeuvrable and can contribute to a better utilisation of space in storage and production areas.

The Basic pallet truck and the highlifter are strong and very durable.



### Technical Specifications

The Basic trucks are strong products, for which the price is adjusted to the quality.

#### Safety for the user

- the lowering function is controlled by a lowering valve
- high-pressure relief valve to prevent overload

#### Good manoeuvrability/utilisation of space

- short length behind forks
- tight turning angle

#### Special features for the Basic highlifter

- low power required for the pump function
- low overall height
- supporting feet and foot protection at steering wheels



Rubber covered handle ensures a comfortable hold.



The Basic pallet truck shown being used in the component industry moving heavy goods.

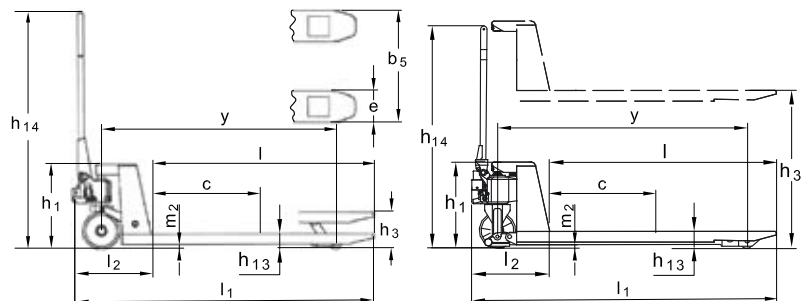


Reliable leak-proof hydraulic system.



The Basic highlifter can transport and lift a pallet to the ergonomically correct working height.

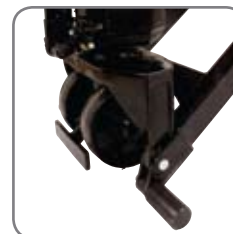
Product (measured in mm)	BF	BF LOW	JF 1000
Capacity - kg	2500	1500	1000
Lifting height $h_3$	200	142	800
Fork length $l$	980, 1150	1150	1150
Overall height $h_1$	431	398,5	432
Overall width $b_5$	520, 685	520	550, 685
Length without forks $l_2$	388	388	356
Overall length $l_1$	$l + 388$	$l + 388$	$l + 356$
Fork width $e$	160	160	163
Wheel distance $y$	$l + 25$	$l + 25$	$l + 80$
Overall height $h_{14}$	1224	1189	1240
Lowered height $h_{13}$	85	52	85
Load centre $c$	$l / 2$	$l / 2$	$l / 2$
Ground clearance $m_2$	35	15	25
Turning angle of the wheels	210°	210°	210°
Fork wheels - single	Ø80	Ø50	Ø74
Fork wheels - tandem	Ø80		
Steering wheel	Ø200	Ø150	Ø180
Weight	85 kg (520 x 1150)	70 kg (520 x 1150)	107 kg (550 x 1150)



The Basic pallet truck is shown being used in the component industry.



Three-stage cylinder of the JF ensures a low pump power.



High safety on JF through supporting feet and foot protection.



Also available with the run-in height 52mm (BF LOW).

Please ask for further information or visit our website [www.logitrans.com](http://www.logitrans.com)