

Logiflex with straddle legs - optimum handling of goods

High flexibility and efficiency - Logiflex with straddle legs transports, lifts and handles goods on all types of pallets - also closed pallets. Large range of optional extras ensures optimum flexibility.

The design puts focus on the safety and ergonomic working conditions of the user - Logiflex can be adjusted to the individual user, and the ergonomic correct handle ensures the user a relaxed hold.

No damage to surroundings, pallets and goods. Logiflex has an elegant design with rounded corners.

High quality is ensured through an extended test programme and in cooperation with experts in Health and Safety.



Technical Specifications

Straddle legs make it possible to handle many different pallet types.

- Optimum safety for the user through
- central location of all control buttons on the handle
 - transparent and impact-resistant safety screen on the mast
 - location of parking brake



Available with side-tilting forks and/or optional extras, e.g. drum turner, remote control, level control, crane arm.



Adjustable forks are available in many different lengths and types.



Ergonomic handle ensures the user a relaxed hold. The handle can be marked with the name/department.

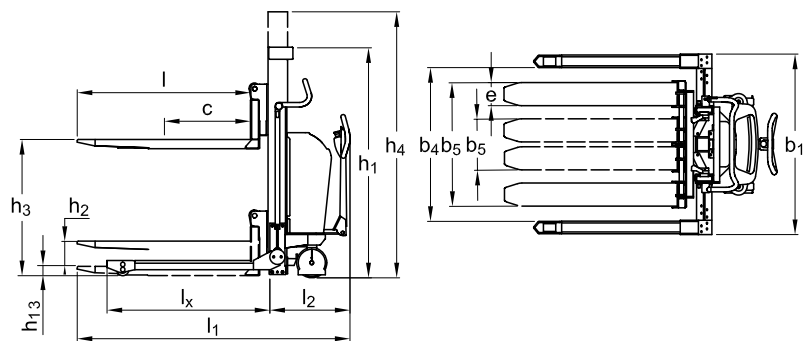
Available with manual and electric lifting.

Product (measured in mm)	LFS MINI	LFS MINI	ELFS	ELFS	ELFS	ELFS	ELFS	ELFS	ELFS	ELFS	ELFS
Capacity in kg	1000	1000	1000/1200	1000/1200	1000/1200	1000/1200	1000	1000	1000	1000	1000
Lifting height with wrap-over forks h_3	890	1620	870	1170	1370	1570	1880	2020	2420	2820	3270
Fork length l	1067, 1150		600*, 800*, 1067, 1150, 1520**								
Overall height h_1	1330		1330	1530	1730	1930	2240	1530	1730	1930	2240
Overall width b_1	680		166 + b_4								
Fork span min./max. b_5	Wrap-over: 350/800, chisel: 270/680, bar: 230/680		Wrap-over: 350/800***, chisel: 270/680, bar: 230/680***								
Length without forks l_2	415		590								
Overall length with 1150 forks l_1	1685	1695	1855					1865			
Overall height h_4	1330	2025	Without telescopic mast					2490	2890	3290	3740
Lowered height, forks h_{13}	Chisel: 45, bar: 65, wrap-over: 65		Chisel: 45, bar: 65, wrap-over: 65								
Load centre c	l/2		l/2								
Width between legs: Cap. 1000 kg b_4	850 - 942, 942 - 1124, 1124 - 1306, 1240-1422****		850 - 942, 942 - 1124, 1124 - 1306, 1240-1422****								
Cap. 1200 kg b_4			850 - 942, 942 - 1124								
Fork width e	Chisel: 120, bar: 100, wrap-over: 163		Bar: 100, chisel: 120, wrap-over: 163								
Run-in length l_x	1080 with 1150 and 1067 forks		1080 with 1150 and 1067 forks								
Gangway A_{st}	2190 (pallet: 1200 x 800)*****		2290 (pallet: 1200 x 800)*****								
Free lift h_2		330						190			
Turning angle of wheels	180°		180°								
Pump motor			1,1 kW 12 V								
Lifting speed	Normal/quick: 8/26 mm per pump		With/without load: 0,05/0,07 m/s								
Lowering speed with/without load	max. 0,19 m/s / max. 0,07 m/s		0,12 m/s / 0,04 m/s					0,12 m/s / 0,06 m/s			
Weight in kg without battery: Cap. 1000/1200 kg	285	320	282	301	307	311	319	362	369	378	427

* Maximum lifting height 1570 mm with 600 mm forks, maximum lifting height 2420 with 800 mm forks.
 ** Reduced capacity 750 kg. Not available for 1200 kg models.
 *** 1200 kg models are only available with chisel forks.
 **** Width between straddle legs of more than 1306 mm: Max. capacity 800 kg. Fork length of 1520 mm is not recommended.
 ***** Tests show that 1700 mm is enough - depends on width between straddle legs.



Strong construction ensures a long operating life and low maintenance costs.



We also offer tailor-made solutions.
 Please ask for further information or visit our website www.logitrans.com