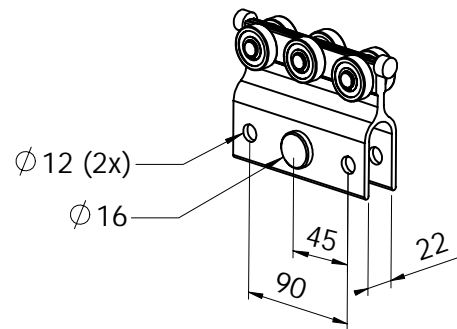
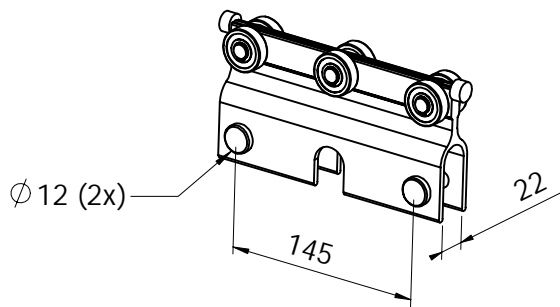


Jib crane art. no. LHBXKPxL145 is fitted with a trolley suitable for Microlex Ejector.

Jib crane art. no. LHBXKPX is fitted with a standard trolley.



Recommended length of vacuum hose along jib = 1.25 x Jib length

Art. no.	A (mm)	B max (mm)	C (mm)	Max load (kg)	Weight of crane (kg)	Hose-trolleys (pcs.)
LHB2W	2067	1962	1284	100	21	0
LHB2WL145	2067	2004	1284	100	21	0
LHB3W	3067	2962	1986	100	27	1
LHB3WL145	3067	3004	1986	100	27	1
LHB4W	4067	3962	2649	100	33	2
LHB4WL145	4067	4004	2649	100	33	2
LHB5W	5067	4962	3802	50	43	2
LHB5WL145	5067	5004	3802	50	43	2

Material & Conditioning Jib and trolley made of aluminium (anodized).
Other structural parts made of steel (zinkplated or powder coated).

Weight

-



Designer	Approved	Scale	Format	Replaced article	Date
.	AL	-	A4	.	021023
Article name				Article number	Revision
Wall Jib Crane LHB X m				LHBXW	2