

FX-R Force / Load / Air Gap

FX-R100	Air gap < 0,1mm			Air gap 0,1 - 0,3 mm			Air gap 0,3 - 0,5 mm		
Material thickness (mm)	Max. Load (kg)	Max. L (mm)	Max. W (mm)	Max. Load (kg)	Max. L (mm)	Max. W (mm)	Max. Load (kg)	Max. L (mm)	Max. W (mm)
≥ 2	25	800	800	12	800	800	10	800	800
≥ 4	50	1500	1000	40	1500	1000	30	1200	1000
≥ 6	70	1500	1000	60	1500	1000	45	1200	1000
≥ 8	100	1500	1000	75	1500	1000	60	1200	1000
Ø25-150	100	2000	-	75	2000	-	60	1500	-

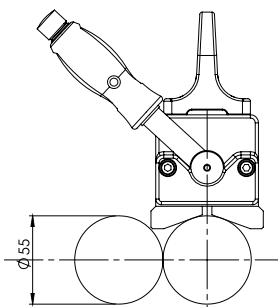
FX-R225	Air gap < 0,2mm			Air gap 0,2 - 0,3 mm			Air gap 0,3 - 0,6 mm		
Material thickness (mm)	Max. Load (kg)	Max. L (mm)	Max. W (mm)	Max. Load (kg)	Max. L (mm)	Max. W (mm)	Max. Load (kg)	Max. L (mm)	Max. W (mm)
≥ 4	80	1600	1000	60	1500	1000	40	1250	1000
≥ 8	180	2000	1250	150	2000	1250	120	1500	1250
≥ 10	225	2250	1250	200	2000	1250	150	1500	1250
Ø50-205	225	3000	-	200	2500	-	150	2000	-

FX-R450	Air gap < 0,2mm			Air gap 0,2 - 0,3 mm			Air gap 0,3 - 0,6 mm		
Material thickness (mm)	Max. Load (kg)	Max. L (mm)	Max. W (mm)	Max. Load (kg)	Max. L (mm)	Max. W (mm)	Max. Load (kg)	Max. L (mm)	Max. W (mm)
≥ 6	150	1800	1500	120	1800	1000	100	1500	1250
≥ 10	300	2250	1500	250	2250	1250	210	2000	1250
≥ 15	400	2500	1500	350	2500	1250	300	2000	1250
≥ 20	450	3000	1500	400	3000	1250	350	2500	1250
Ø50-270	450	4000	-	375	3500	-	280	3000	-

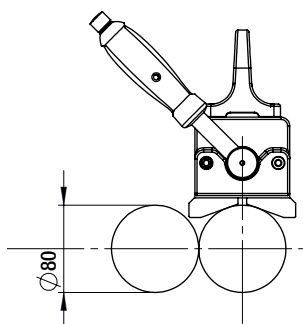
FX-R750	Air gap < 0,3mm			Air gap 0,3 - 0,5 mm			Air gap 0,5 - 0,6 mm		
Material thickness (mm)	Max. Load (kg)	Max. L (mm)	Max. W (mm)	Max. Load (kg)	Max. L (mm)	Max. W (mm)	Max. Load (kg)	Max. L (mm)	Max. W (mm)
≥ 8	300	2250	1500	280	2250	1500	250	2250	1250
≥ 10	400	2500	1500	380	2500	1500	300	2500	1250
≥ 15	700	3000	1500	680	3000	1500	550	3000	1250
≥ 20	750	3500	1500	720	3000	1500	600	3000	1250
Ø70-370	750	4500	-	600	4000	-	450	3000	-

FX-R1200	Air gap < 0,3mm			Air gap 0,3 - 0,6 mm			Air gap 0,6 - 0,8 mm		
Material thickness (mm)	Max. Load (kg)	Max. L (mm)	Max. W (mm)	Max. Load (kg)	Max. L (mm)	Max. W (mm)	Max. Load (kg)	Max. L (mm)	Max. W (mm)
≥ 15	600	2500	2000	500	3000	2000	440	2500	1500
≥ 20	800	3000	2000	650	3000	2000	550	3000	1500
≥ 25	1000	3500	2000	800	3000	2000	700	3000	1500
≥ 40	1200	4000	2000	1000	3000	2000	900	3000	1500
Ø120-560	1200	4500	-	900	4000	-	700	3500	-

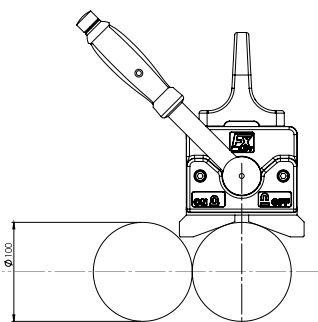
FX-R1800	Air gap < 0,3mm			Air gap 0,3 - 0,6 mm			Air gap 0,6 - 0,8 mm		
Material thickness (mm)	Max. Load (kg)	Max. L (mm)	Max. W (mm)	Max. Load (kg)	Max. L (mm)	Max. W (mm)	Max. Load (kg)	Max. L (mm)	Max. W (mm)
≥ 15	900	2500	2000	750	3000	2000	660	2500	1500
≥ 20	1200	3000	2000	1000	3000	2000	825	3000	1500
≥ 25	1500	3500	2000	1200	3000	2000	1050	3000	1500
≥ 40	1800	4000	2000	1500	3000	2000	1200	3000	1500
Ø120-560	1800	5000	-	1500	4000	-	1125	3500	-



FX-R100



FX-R225



FX-R450

