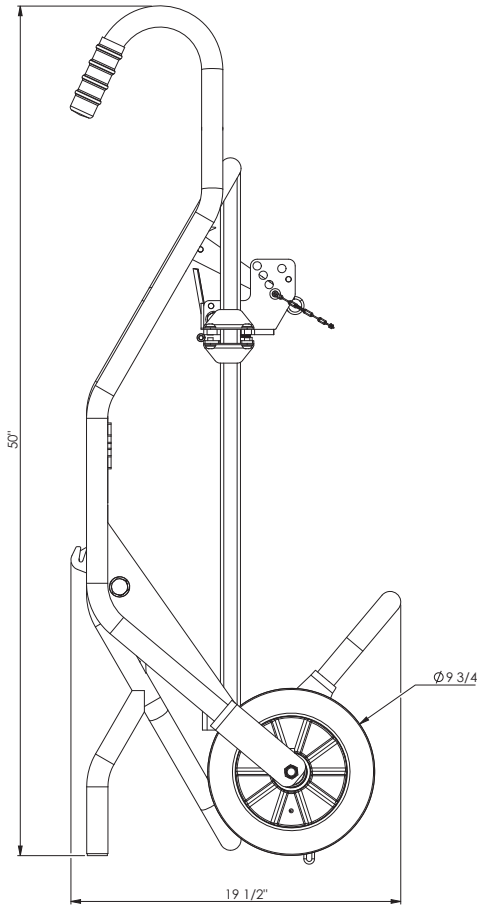
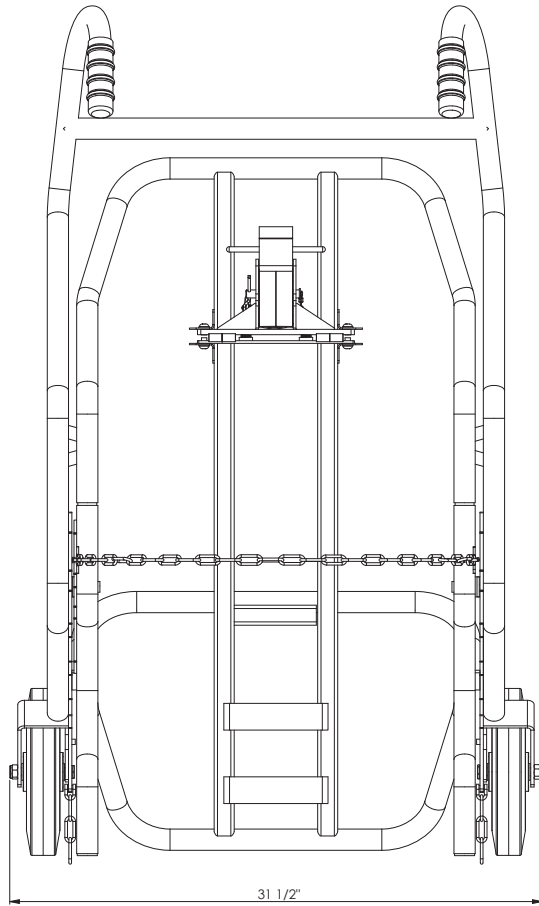



SWL: 770lbs
 UNLADEN WEIGHT: 61lbs
 DRUM DIAMETER: 23 1/2" MIN
 DRUM DIAMETER: 5 1/4" MAX
 DRUM HEIGHT: 39 1/4" MIN
 HEIGHT: 19 3/4" MAX
 LIFT: 2 3/4" mm

DTC01-Ex

SWL - 770lbs




 ALL DIMENSIONS
 IN mm U.O.S
 DO NOT SCALE



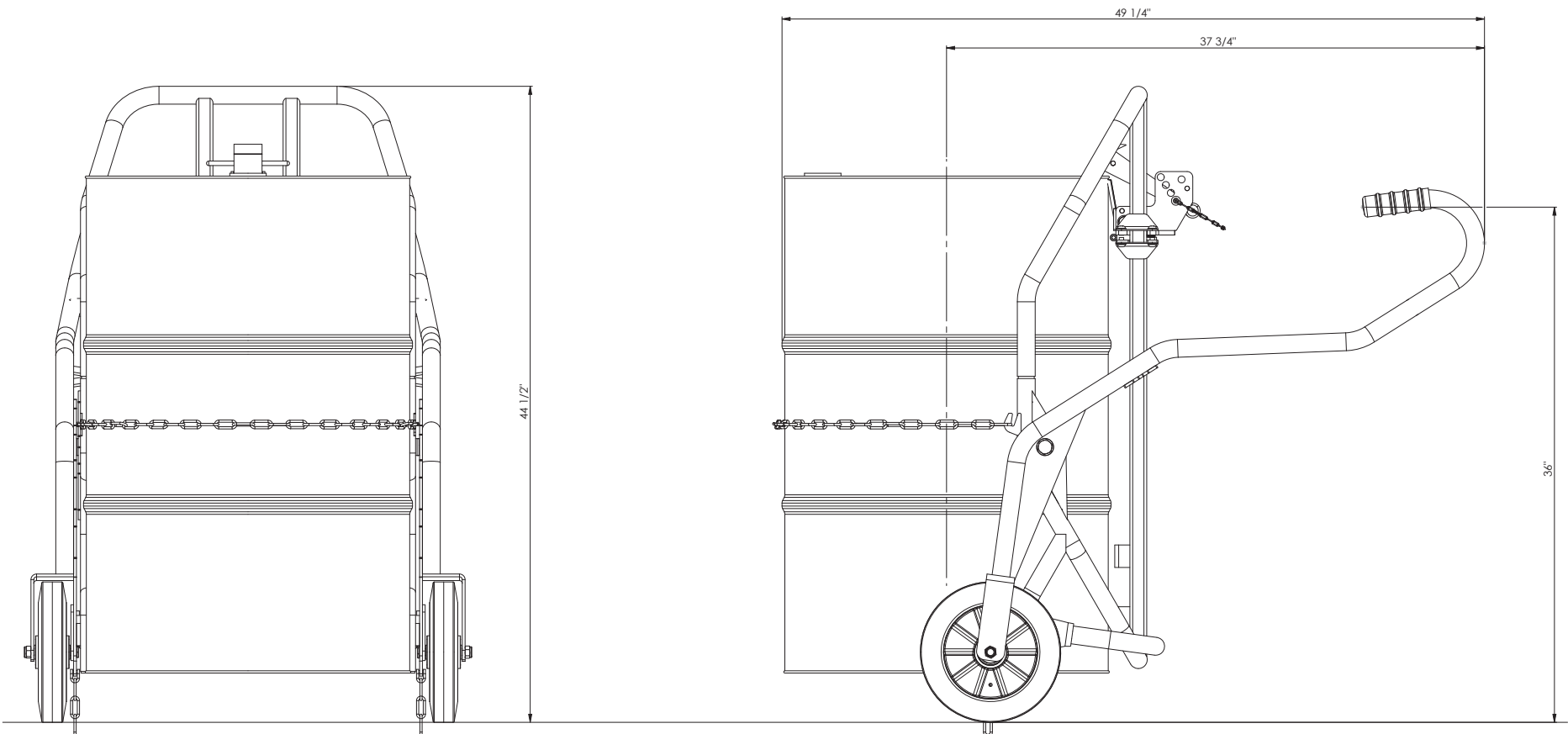
 BESPOKE HANDLING EQUIPMENT LTD
 REEDTOWN, CORNWALL, TR27 4DS
 TEL: +44 1738 85 10 50 FAX: +44 1738 85 10 23
 E-MAIL: SALES@STS-TROLLEYS.CO.UK
 WWW: [HTTPS://WWW.STS-TROLLEYS.CO.UK](https://www.sts-trolleys.co.uk)

THIS DOCUMENT AND ALL THE INFORMATION CONTAINED HEREIN ARE CONFIDENTIAL AND EXCLUSIVE PROPERTY OF STS BESPOKE HANDLING EQUIPMENT AND MAY NOT BE REPRODUCED, USED, DISCLOSED OR ANYWISE PUBLIC IN ANY MANNER PRIOR TO THE WRITTEN AUTHORIZATION OF STS BESPOKE HANDLING EQUIPMENT.
 THIS DOCUMENT IS ACCEPTED PURSUANT TO AGREEMENT TO THE FOREGOING, AND MUST BE RETURNED OR DESTROYED UPON DEMAND.
 MANUFACTURER AGREES THAT ARTICLES MADE IN ACCORDANCE WITH THIS DOCUMENT SHALL BE CONSIDERED STS BESPOKE HANDLING EQUIPMENT DESIGN AND THAT GENERAL SPECIFICATIONS OR PARTS THEREOF SHALL NOT BE MANUFACTURED FOR THE USE OR SALE BY THE MANUFACTURER OR ANY OTHER PERSON OR ENTITY WITHOUT PRIOR WRITTEN AUTHORIZATION BY STS BESPOKE HANDLING EQUIPMENT.


CATEGORY:	ASSEMBLY	SHEET NO:	1 OF 3	DRAWN BY:	AJ
MATERIAL SPEC:				CHECKED BY:	JS
FINISH:	N/A	SHEET SIZE:	A3	DATE CHK:	01/05/2019
DESCRIPTION:	ATEX RATED UNIVERSAL DRUM TROLLEY, 770lbs SWL, DTC01-EX	PART NUMBER:	003057	REVISION:	B


DTC01-Ex

SWL - 770lbs



STANDARD 54G DRUM SHOWN


**ALL DIMENSIONS
IN mm U.O.S**
DO NOT SCALE


RESPORCE HANDLING EQUIPMENT LTD
 LEEDSTOWN, CORNWALL, TR27 4DS
 TEL: +44 1738 85 10 50 FAX: +44 1738 85 10 23
 E-MAIL: SALES@STS-TROLLEYS.CO.UK
 WWW: [HTTPS://WWW.STS-TROLLEYS.CO.UK](https://www.sts-trolleys.co.uk)

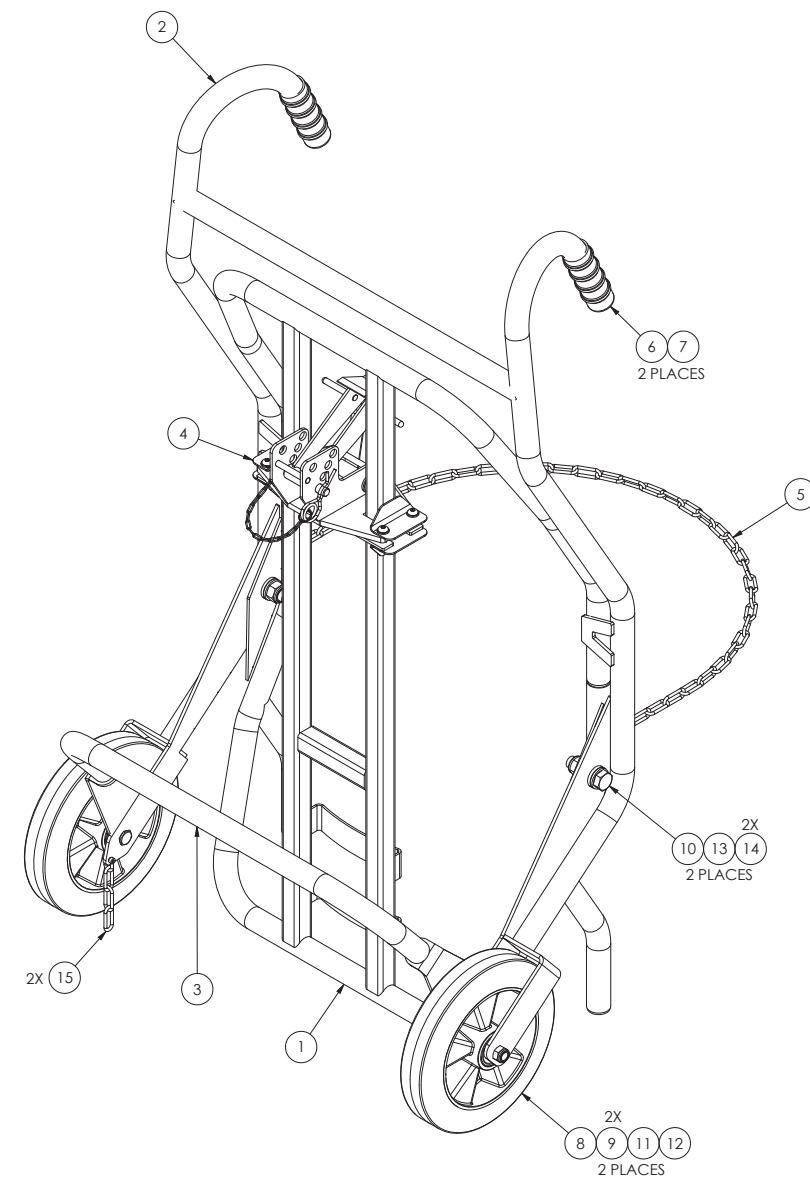
THIS DOCUMENT AND ALL THE INFORMATION CONTAINED HEREIN ARE CONFIDENTIAL AND EXCLUSIVE PROPERTY OF STS RESPORCE HANDLING EQUIPMENT LTD AND MAY NOT BE REPRODUCED, USED, DISCLOSED OR MADE PUBLIC IN ANY MANNER WITHOUT THE WRITTEN AUTHORIZATION OF STS RESPORCE HANDLING EQUIPMENT.
 THIS DOCUMENT IS ACCEPTED PURSUANT TO AGREEMENT TO THE FOREGOING, AND MUST BE RETURNED OR DESTROYED UPON DEMAND.
 MANUFACTURER AGREES THAT ARTICLES MADE IN ACCORDANCE WITH THIS DOCUMENT SHALL BE CONSIDERED STS RESPORCE HANDLING EQUIPMENT DESIGN AND THAT ORIGINAL ARTICLES OR PARTS THEREOF SHALL NOT BE MANUFACTURED FOR THE USE OR SALE BY THE MANUFACTURER OF ANY OTHER PERSON OR ENTITY WITHOUT PRIOR WRITTEN AUTHORIZATION BY STS RESPORCE HANDLING EQUIPMENT.

CATEGORY:	ASSEMBLY	SHEET NO:	2 OF 3	DRAWN BY:	AJ
MATERIAL SPEC:				CHECKED BY:	JS
FINISH:	N/A	SHEET SIZE:	A3	DATE CHK:	01/05/2019
DESCRIPTION:	ATEX RATED UNIVERSAL DRUM TROLLEY, 770lbs SWL, DTC01-EX	PART NUMBER:	003057	REVISION:	B

ITEM	STS PART	DESCRIPTION	QTY
1	003040	BACK FRAME F/DTC01, WELDMENT, STAINLESS STEEL	1
2	003052	HANDLE FRAME F/ DTC01, WELDMENT, AISI 304	1
3	003038	FOOTBAR, F/ DTC01, STAINLESS STEEL	1
4	003035	DRUM CATCH ASSEMBLY, STAINLESS STEEL	1
5	013480	CHAIN WITH DEE SHACKLE - 1/4" - 36 LINKS	1
6	012948	BLACK ANTI-STATIC GRIP HANDLE, REF. RUNFOLD PLASTICS, MDC-400-0056	2
7	002784	Ø1 1/4" INCH PLASTIC END PLUG	2
8	002419	WHEEL, Ø 9 3/4" - TW2" - HW 2 1/4" - Ø3/4", RUBBER/ALU, 1102lbs(ANTI-STATIC), REF. WICKE, DE 250/50/4K-S	2
9	009049	WHEEL BUSH, 2" OD, 1/2" ID, 3/4" LONG, ZINC PLATED	4
10	001072-102	HEX BOLT, M 3/4" X 2 1/4", A2	2
11	003067	AXEL BOLT - M1/2" X 3/4"MM	2
12	001423-012	NYLOC NUT, M1/2", A2	2
13	001423-016	NYLOC NUT, M1/2", A2	2
14	001117-033	WASHER, M1/2", A2	4
15	004598	EARTHING CHAIN WITH DEE SHACKLE - 1/4" - 3 LINKS	2


DTC01-Ex


SWL - 770lbs



ZONE	REV.	ECN	DESCRIPTION	DATE	APPROVED
-	B	-	CHANGED ASSEMBLY.	-	-

REVISIONS					
CATEGORY:	ASSEMBLY	SHEET NO:	3 OF 3	DRAWN BY:	AJ
MATERIAL SPEC:		CHECKED BY:		JS	
FINISH:	N/A	SHEET SIZE:	A3	DATE CHK:	01/05/2019
DESCRIPTION:	ATEX RATED UNIVERSAL DRUM TROLLEY, 770lbs SWL, DTC01-EX	PART NUMBER:	003057	REVISION:	B


 ALL DIMENSIONS IN mm U.O.S
 DO NOT SCALE


RESPONSE HANDLING EQUIPMENT LTD
 LEEDSTOWN, CORNWALL, TR27 6DS
 TEL: +44 1738 85 10 50 FAX: +44 1738 85 10 23
 E-MAIL: SALES@STS-TROLLEYS.CO.UK
 WWW: [HTTPS://WWW.STS-TROLLEYS.CO.UK](https://www.sts-trolleys.co.uk)

THIS DOCUMENT AND ALL THE INFORMATION CONTAINED HEREIN ARE CONFIDENTIAL AND EXCLUSIVE PROPERTY OF STS RESPONSE HANDLING EQUIPMENT LTD AND MAY NOT BE REPRODUCED, USED, DISCLOSED OR MADE PUBLIC IN ANY MANNER PRIOR TO EXPRESS WRITTEN AUTHORIZATION BY STS RESPONSE HANDLING EQUIPMENT LTD.
 THIS DOCUMENT IS ACCEPTED PURSUANT TO AGREEMENT TO THE FOREGOING, AND MUST BE RETURNED OR DESTROYED UPON DEMAND.
 MANUFACTURER AGREES THAT ARTICLES MADE IN ACCORDANCE WITH THIS DOCUMENT SHALL BE CONSIDERED STS RESPONSE HANDLING EQUIPMENT DESIGN AND THAT GENERAL APPLICABLE OR PARTS THEREOF SHALL NOT BE MANUFACTURED FOR THE USE OR SALE BY THE MANUFACTURER OR ANY OTHER PERSON OR ENTITY WITHOUT PRIOR EXPRESS WRITTEN AUTHORIZATION BY STS RESPONSE HANDLING EQUIPMENT LTD.